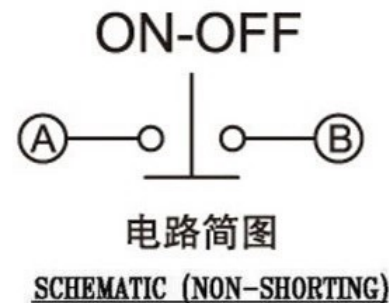
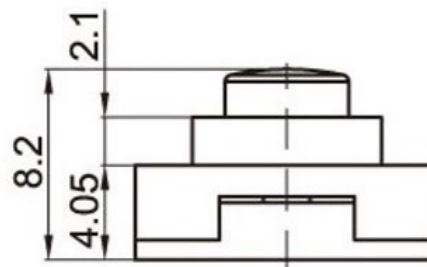
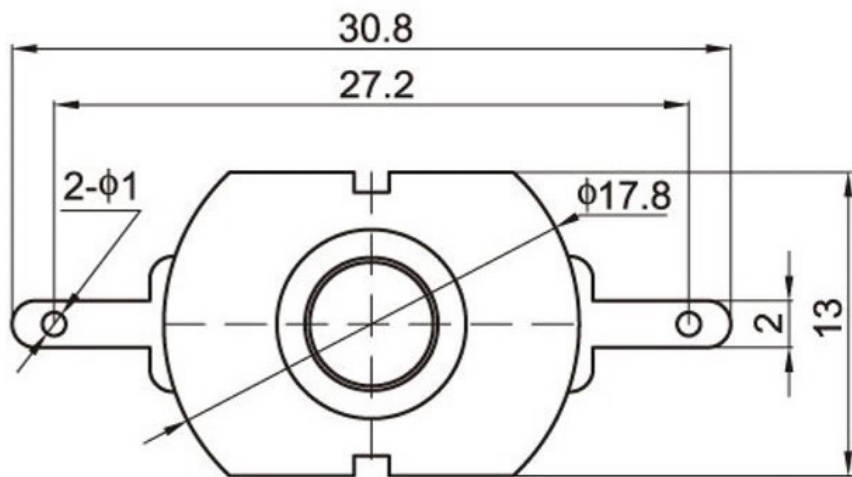
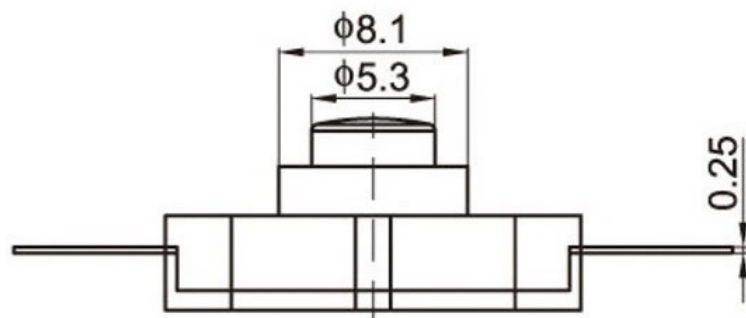
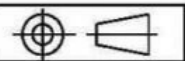


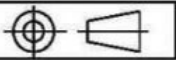
注：“*”□表示关键尺寸(3个)。

NO.	PARTS	MATERIALS	Q'TY		TOLERANCE UNLESS SPECIFIED					
8										
7										
6					WITHIN 1.5mm : ±0.1mm	A	2012-8-13	初版		
5	SPRING	SUS	1	NATURAL	OVER 1.5mm : ±0.2mm	ISSUE	DATE	DESCRIPTIONS OF REVISION	APPD.	
4	CAM STICK	SUS	1	NATURAL	TITLE : VERTICAL PUSH SWITCH				UNIT : mm	DRWG NO.:
3	CASE	PA66/BRASS STRIP	1	GREY/Ag PLATED	MODEL:				SCALE: 5:1	
2	COVER	PA66	1	BLACK	东莞市高迪电子有限公司				DWN.	2012-8-13
1	KNOB	PA66/PBS C5210R-EH	1	WHITE/Ag CLAD					CHK'D	
								APPD.		

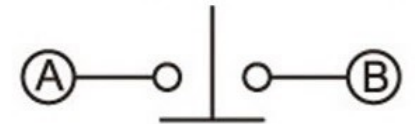


注：“*”□表示关键尺寸(3个).

NO.	PARTS	MATERIALS	Q'TY		TOLERANCE UNLESS SPECIFIED				
8									
7									
6					WITHIN 1.5mm : ±0.1mm	A	2012-8-13	初版	
5	SPRING	SUS	1	NATURAL	OVER 1.5mm : ±0.2mm	ISSUE	DATE	DESCRIPTIONS OF REVISION	APPD.
4	CAM STICK	SUS	1	NATURAL	TITLE : VERTICAL PUSH SWITCH			UNIT : mm	DRWG NO.:
3	CASE	PA66/BRASS STRIP	1	GREY/Ag PLATED	MODEL:			SCALE: 5:1	DWN.
2	COVER	PA66	1	BLACK	东莞市高迪电子有限公司				2012-8-13
1	KNOB	PA66/PBS C5210R-EH	1	WHITE/Ag CLAD					2012-8-13
								CHK'D	
								APPD.	

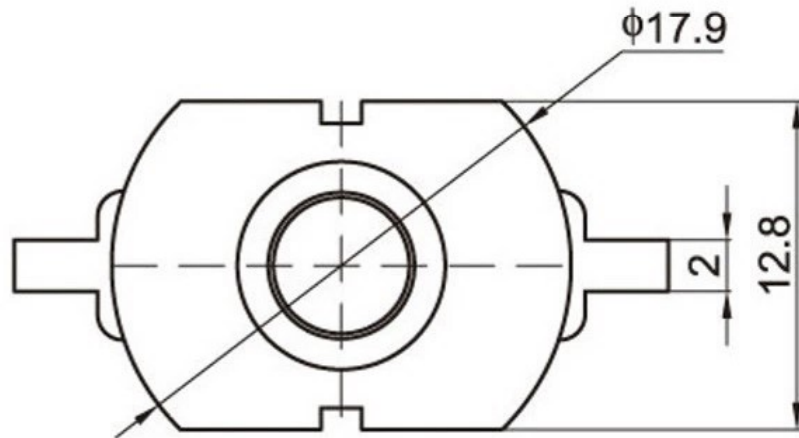
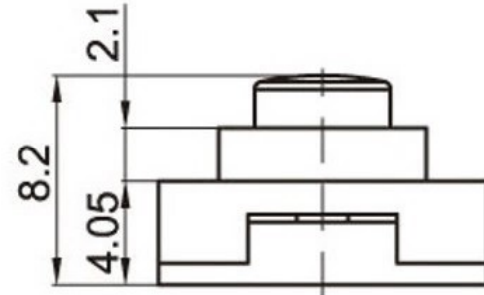
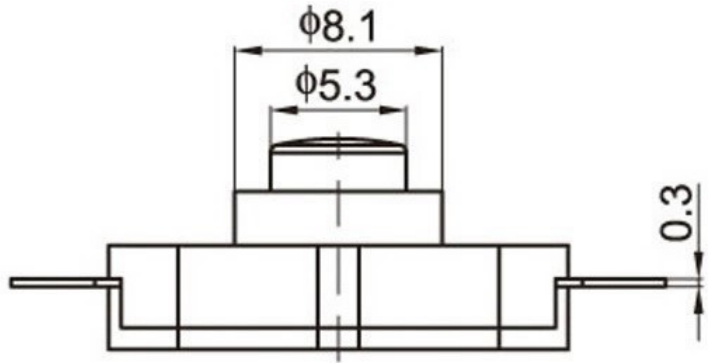


无锁(常闭.接通)



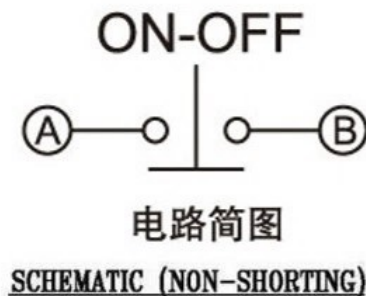
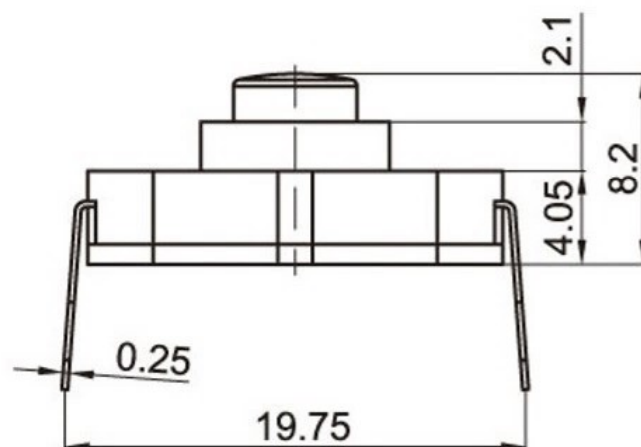
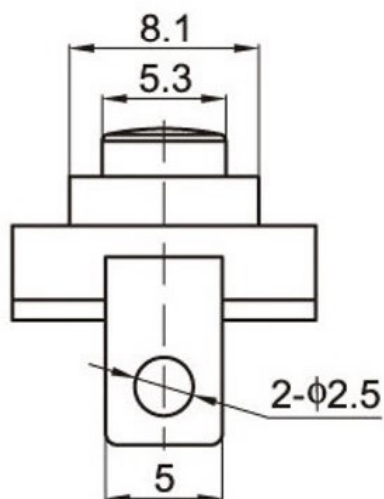
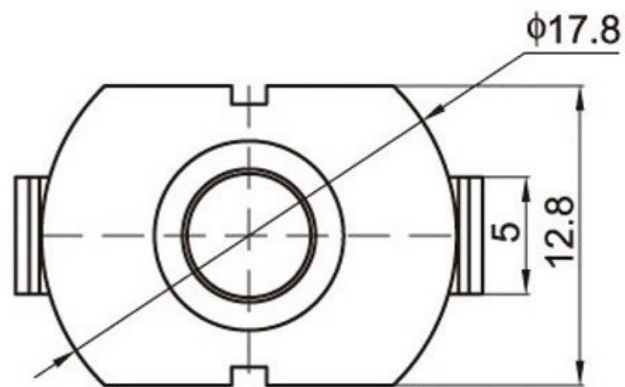
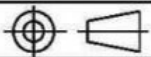
电路简图

SCHEMATIC (NON-SHORTING)



注：“*”□表示关键尺寸(3个).

NO.	PARTS	MATERIALS	Q'TY	TOLERANCE UNLESS SPECIFIED	ISSUE	DATE	DESCRIPTIONS OF REVISION	APPD.
8								
7								
6				WITHIN 1.5mm : ±0.1mm	A	2012-8-13	初版	
5	SPRING	SUS	1	NATURAL	ISSUE	DATE		
4	CAM STICK	SUS	1	NATURAL	TITLE : VERTICAL PUSH SWITCH			UNIT : mm
3	CASE	PA66/BRASS STRIP	1	GREY/Ag PLATED	MODEL:			DRWG NO.:
2	COVER	PA66	1	BLACK	SCALE: 5:1			DWN. 2012-8-13
1	KNOB	PA66/PBS C5210R-EH	1	WHITE/Ag CLAD	东莞市高迪电子有限公司			CHK'D



注：“*”□表示关键尺寸(3个)。

NO.	PARTS	MATERIALS	Q'TY	TOLERANCE UNLESS SPECIFIED			
8							
7							
6				WITHIN 1.5mm : ±0.1mm	A	2012-8-13	初版
5	SPRING	SUS	1	NATURAL	ISSUE	DATE	DESCRIPTIONS OF REVISION
4	CAM STICK	SUS	1	NATURAL	TITLE : VERTICAL PUSH SWITCH		
3	CASE	PA66/BRASS STRIP	1	GREY/Ag PLATED	UNIT : mm	DRWG NO.:	
2	COVER	PA66	1	BLACK	MODEL:	SCALE: 5:1	DWN. 2012-8-13
1	KNOB	PA66/PBS C5210R-EH	1	WHITE/Ag CLAD	东莞市高迪电子有限公司		CHK'D
				APPD.			2012-8-13